

Backlight Integration

Digital Signage K-stand Touch Screen Kiosk



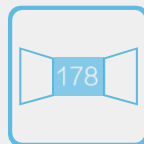
HDDisplay



Infrared Touch



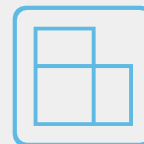
System Optional



178° full viewing angle



Centralized Terminal Management



Split Screen Playback



3D Noise Reduction Display

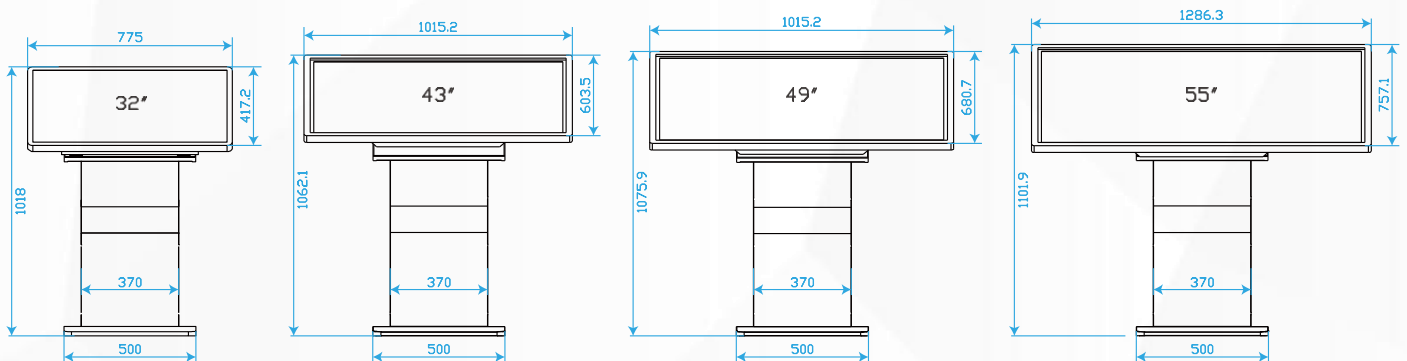
1. High quality explosion-proof glass,high light transmittance, anti-violent, scratch-resistant, dust-proof and waterproof ;
2. Industrial high-performance LCD screen ensures high image clarity, high brightness and stability of use ;
3. The shell is made of high-strength steel, which is ultra-thin, beautiful and strong, and has excellent protection performance ;
4. The surface is fine-grained, smooth and even, with good anti-rust and wear-resisting functions ;
5. A variety of signal interfaces, supporting a variety of signal input / output ;
6. Adopt industrial industrial control motherboard, high-speed hard disk ;

FUNCTIONS & _____

PARAMETERS



Specifications



The Processing Technology

More than 100 processing molding, aluminum profile frame, metal material back cover, 3mm thick explosion-proof glass screen.

IPS Hard Screen

IPS integrates rgb 16.7 million kinds of colors, which can better present the original colors, make the picture bright, energetic, vivid and real, long time to start, the picture without shadow, protect the screen for a long time to use

Multiple Touch Modes

High precision, anti-interference projection capacitive screen, quick response, hair-trigger, a variety of touch mode, make touch more interactive and interesting

Long Standby Time

All the equipment is enclosed in the all-in-one machine, the touch sensing element is protected by tempered glass, and there is basically no physical loss

FUNCTIONS & _____

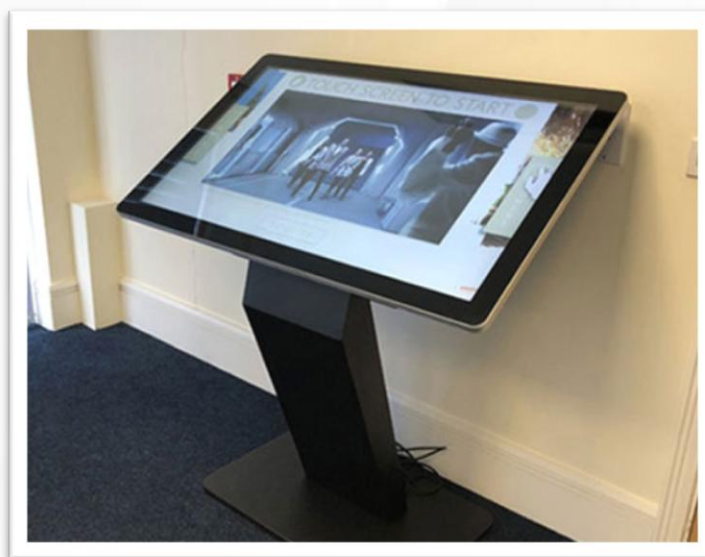
PARAMETERS

Technical Parameter

Product Model		US-AD*****			
Screen Parameters	Size	32"- 55"	Audio System	Horn	2×5W(8Ω)
	Back Type	Backlight Integration		Sound Mode	Standard
	Display Proportion	16:9	Output Interface	PC Output Interface	RJ45x1、USBx2
	Physical Resolution	1920X1080		L/R Audio Output	1 RCA X2
	Color Depth	16.7M	Power Consumption	Input Voltage	C 100~240v 50/60HZ
	Viewing Angle	R/L/U/D 89/89/89/89		Standby Power	≤3W/≤180W
	Brightness	450 cd/m ²	Cabinet	Material	SPCC
	Contrast	5000:1		Exterior Color	Black / Gold / Silver
	Response Time	5ms	External Conditions	Working Temperature	0°C~50°C/20%~80%
	Service Time	60000 hours		Storage Temperature	-10°C~60°C/5--95%

Display Board Solution Options

Version	CPU	Internal Storage	Out Storage	Interface	System Supporting
Display Version	E9-B11/ E9-BNC/E6J-AV	No Storage	USB /HDD/SSD	HDMI/VGA/ DVI/USB	Android /Windows/ Linux OS
Standalone Version	Mstar V56	No Storage (8G/16G available)	Support SD card and USB Flash	HDMI/USB/SD	Only Standalone OS



Windows OS Solution

Operating System	CPU	System Version	Graphics	RAM	Storage
Windows OS	Core-i3	Win 7/ Win 10	3.7HZ/3.9HZ	4G (8G available)	120G SSD/ 500G HDD
	Core-i5	Win 7/ Win 10	3.2HZ/3.4HZ	4G (8G available)	120G SSD/ 500G HDD
	Core-i7	Win 7/ Win 10	3.4HZ/3.6HZ	4G (8G available)	120G SSD/ 500G HDD

Company Address :-



Head Office :

Maxtell India

**257, Malvea Apartment, 3rd Floor, T-3, Sardar Patel Marg,
Near BJP Office,
C-Scheme, Jaipur - 302001**

Tel No : 0141 4012271, 4106594

Mobile No : +91 98280 52866

Email : info@maxtellindia.com

Website :

www.maxtellindia.com