

Digital Signage Floor Sliding Standee



Plug and Play

Plug and Play is the easiest and most simple way to upload content to the screen, Simply load images and videos onto a USB stick, insert in the display, wait for your content to copy over and then remove. Your images and videos will now play in a continuous loop.

Network CMS Upgrade

We also offer cloud basis network CMS if required, and you can run the third party Digital Signage software via our Android PC board too

Commercial Grade

Designed for use in commercial applications this screen can run 24/7. There are no external buttons or controls to avoid tampering



Plug and Play



24/7 Loop Play



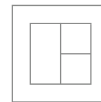
Free Scheduling Software



Android Media Player



Built-in Speaker



Split Screen

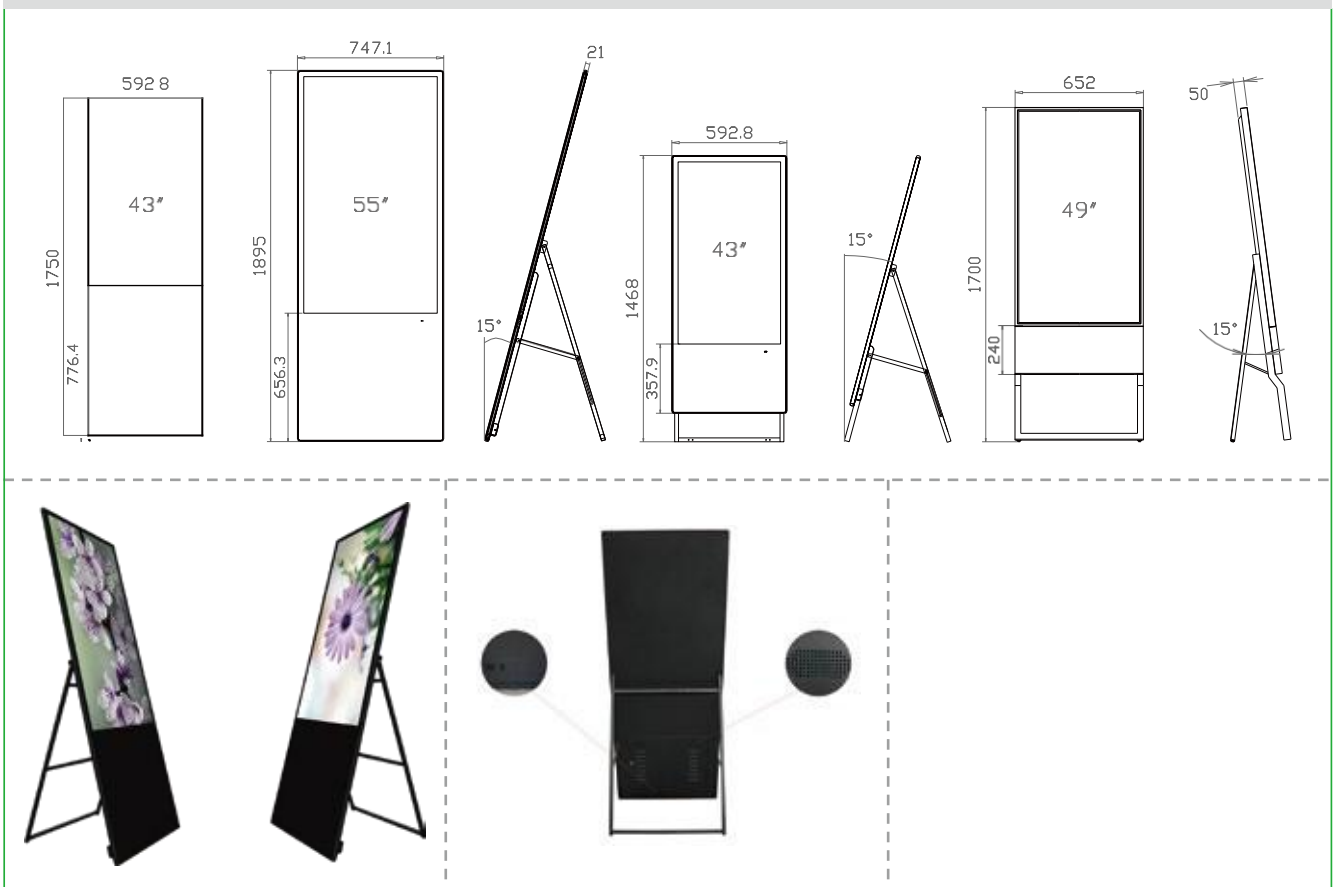


Tempered Glass

FUNCTIONS & _____ PARAMETERS



Main Dimensions



FUNCTIONS & _____

PARAMETERS

Technical Parameter

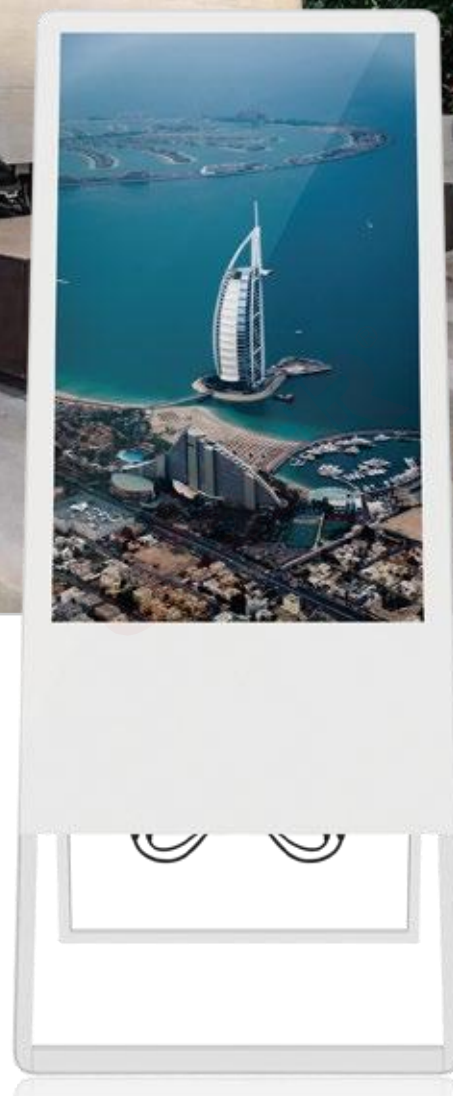
Product Model		US-AD*****			
Screen Parameters	Size	43"- 55"	Audio System	Horn	2×5W(8Ω)
	Back Type	DLED		Sound Mode	Standard
	Display Proportion	16:9	Output Interface	PC Output Interface	RJ45x1、USBx2
	Physical Resolution	1920X1080		L/R Audio Output	1 RCA X2
	Color Depth	16.7M	Power Consumption	Input Voltage	C 100~240v 50/60HZ
	Viewing Angle	R/L/U/D 89/89/89/89		Standby Power	≤3W/≤180W
	Brightness	350 cd/m ²	Cabinet	Material	SPCC
	Contrast	2000:1		Exterior Color	Black / Gold / Silver
	Response Time	5ms	External Conditions	Working Temperature	0°C~50°C/20%~80%
	Service Time	≥60000 hours		Storage Temperature	-10°C~60°C/5--95%

Display Board Solution Options

Version	CPU	Internal Storage	Out Storage	Interface	System Supporting
Display Version	E9-B11/ E9-BNC/E6J-AV	No Storage	USB /HDD/SSD	HDMI/VGA/ DVI/USB	Android/Windows/ Linux OS
Standalone Version	Mstar V56	No Storage (8G/16G available)	Support SD card and USB Flash	HDMI/USB/SD	Only Standalone OS

Operating System	CPU	System Version	Graphics	RAM	Storage
Windows OS	Core-i3	Win 7/ Win 10	3.7HZ/3.9HZ	4G (8G available)	120G SSD/ 500G HDD
	Core-i5	Win 7/ Win 10	3.2HZ/3.4HZ	4G (8G available)	120G SSD/ 500G HDD
	Core-i7	Win 7/ Win 10	3.4HZ/3.6HZ	4G (8G available)	120G SSD/ 500G HDD

Digital Signage Floor Sliding Standee



Plug and Play

Plug and Play is the easiest and most simple way to upload content to the screen, Simply load images and videos onto a USB stick, insert in the display, wait for your content to copy over and then remove. Your images and videos will now play in a continuous loop.

Network CMS Upgrade

We also offer cloud basis network CMS if required, and you can run the third party Digital Signage software via our Android PC board too.

Commercial Grade

Designed for use in commercial applications this screen can run 24/7. There are no external buttons or controls to avoid tampering.



Plug and Play



24/7 Loop Play



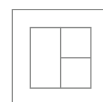
Free Scheduling
Software



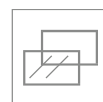
Android Media
Player



Built-in Speaker



Split Screen



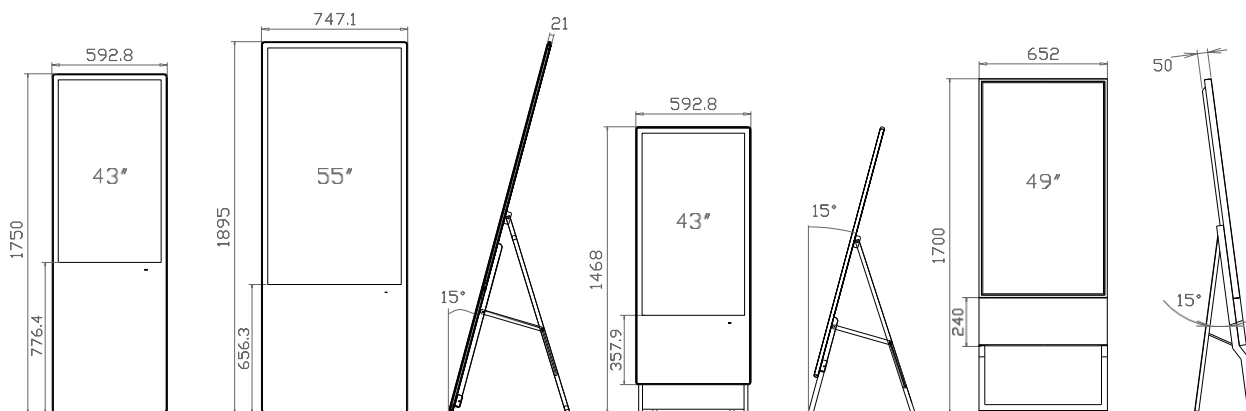
Tempered
Glass

Maxtell
LED Display Company

FUNCTIONS & _____

PARAMETERS

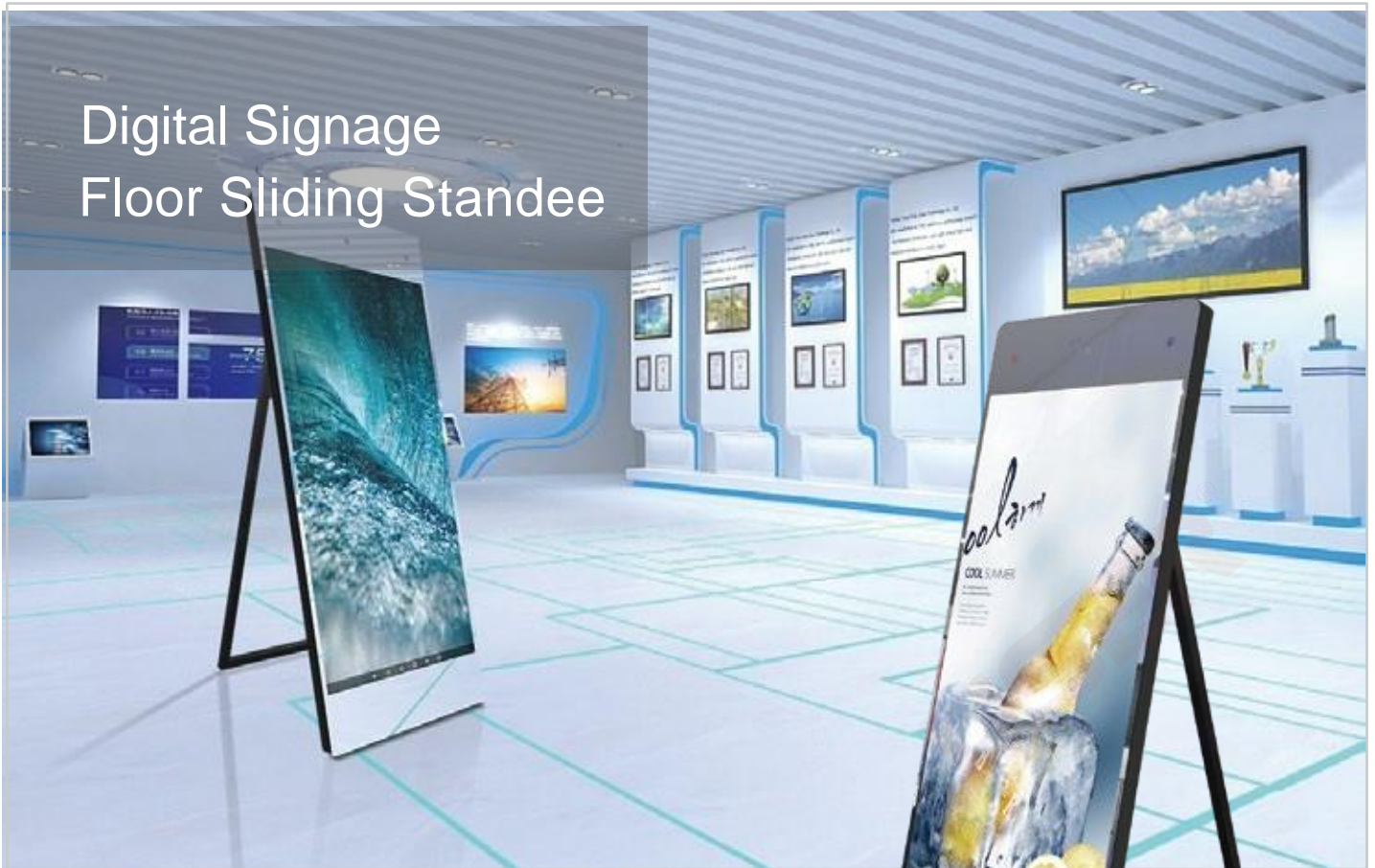
Main Dimensions



Main Dimensions

Panel	Display Size(inch)	49	55
	Resolution	1920*1080	
	Display Area(mm)	1073.5*603	1209.6*680.4
	Aspect Ratio	16:9	
	Brightness(cd/m ²)	350cd/m ²	350cd/m ²
	Color	16.7M	
	Viewing Angle	178°	
	Contrast Ratio	1000 : 1	5000 : 1
Android Media Player	Media Formats	Video (MPG, AVI, MP4, RM, RMVB, TS), Audio (MP3, WMA), Image (JPG, GIF, BMP, PNG)	
	Media Resolution	3840*2160	
	External Memory	8G SD Card (up to 32G)	
	Processor	Rockchip® 3368 (1.8GHz, octacore)	
	RAM	2G	
	Flash	8G EMMC	
	USB	USB2.0 HOST (x3)	
	LAN	10M/100MEthernet (Network version screen only)	
	Wi-FI	802.11b/g/n Ethernet (Network version screen only)	
	OS	Android 5.1.1	
Others	Loud Speaker	5W, 8Ω (2 sets)	
	Input	AC100-240V (50Hz-60Hz)	
Environmental	Operating Temperature	0°C~45°C	
	Storage Temperature	-30°C~55°C	
	Operating Humidity	10%~80%	
	Storage Humidity	5%~95%	
Accessories	Included	Scheduling Software, Remote Control, Key, Power cable, SD Card	

Digital Signage Floor Sliding Standee



Plug and Play

Plug and Play is the easiest and most simple way to upload content to the screen, Simply load images and videos onto a USB stick, insert in the display, wait for your content to copy over and then remove. Your images and videos will now play in a continuous loop.

Network CMS Upgrade

We also offer cloud basis network CMS if required, and you can run the third party Digital Signage software via our Android PC board too.

Commercial Grade

Designed for use in commercial applications this screen can run 24/7. There are no external buttons or controls to avoid tampering.



Plug and Play



24/7 Loop Play



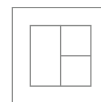
Free Scheduling
Software



Android Media
Player



Built-in Speaker



Split Screen



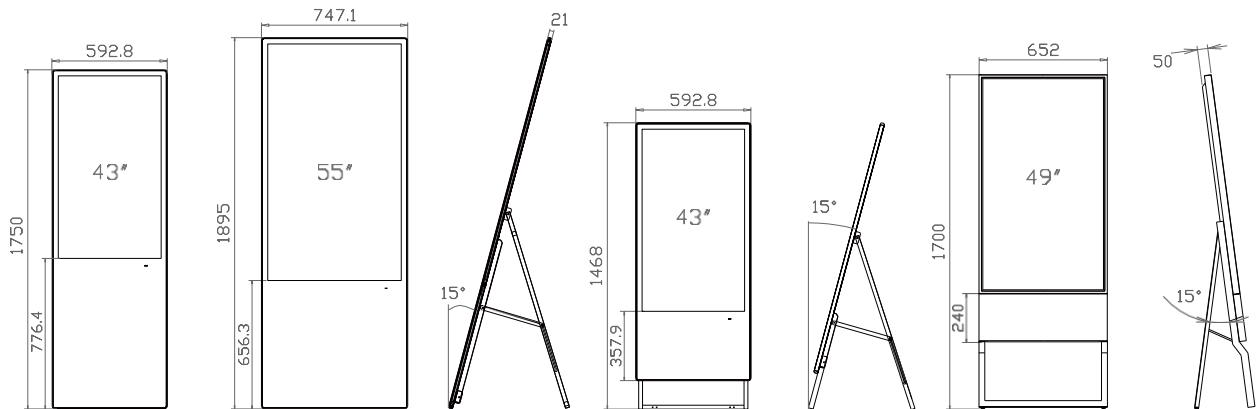
Tempered
Glass

Special LCD Display Solutions Supplier
www.maxtellindia.com

FUNCTIONS & _____

PARAMETERS

Main Dimensions



Main Dimensions

Main Dimensions		49	55
Panel	Display Size(inch)	49	55
	Resolution	1920*1080	
	Display Area(mm)	1073.5*603	1209.6*680.4
	Aspect Ratio	16:9	
	Brightness(cd/m ²)	350cd/m ²	350cd/m ²
	Color	16.7M	
	Viewing Angle	178°	
Android Media Player	Contrast Ratio	1000 : 1	5000 : 1
	Media Formats	Video (MPG, AVI, MP4, RM, RMVB, TS), Audio (MP3, WMA), Image (JPG, GIF, BMP, PNG)	
	Media Resolution	3840*2160	
	External Memory	8G SD Card (up to 32G)	
	Processor	Rockchip® 3368 (1.8GHz, octacore)	
	RAM	2G	
	Flash	8G EMMC	
	USB	USB2.0 HOST (x3)	
	LAN	10M/100MEthernet (Network version screen only)	
	Wi-Fi	802.11b/g/n Ethernet (Network version screen only)	
	OS	Android 5.1.1	
Others	Loud Speaker	5W, 8Ω (2 sets)	
	Input	AC100-240V (50Hz-60Hz)	
Environmental	Operating Temperature	0°C~45°C	
	Storage Temperature	-30°C~55°C	
	Operating Humidity	10%~80%	
	Storage Humidity	5%~95%	
Accessories	Included	Scheduling Software, Remote Control, Key, Power cable, SD Card	